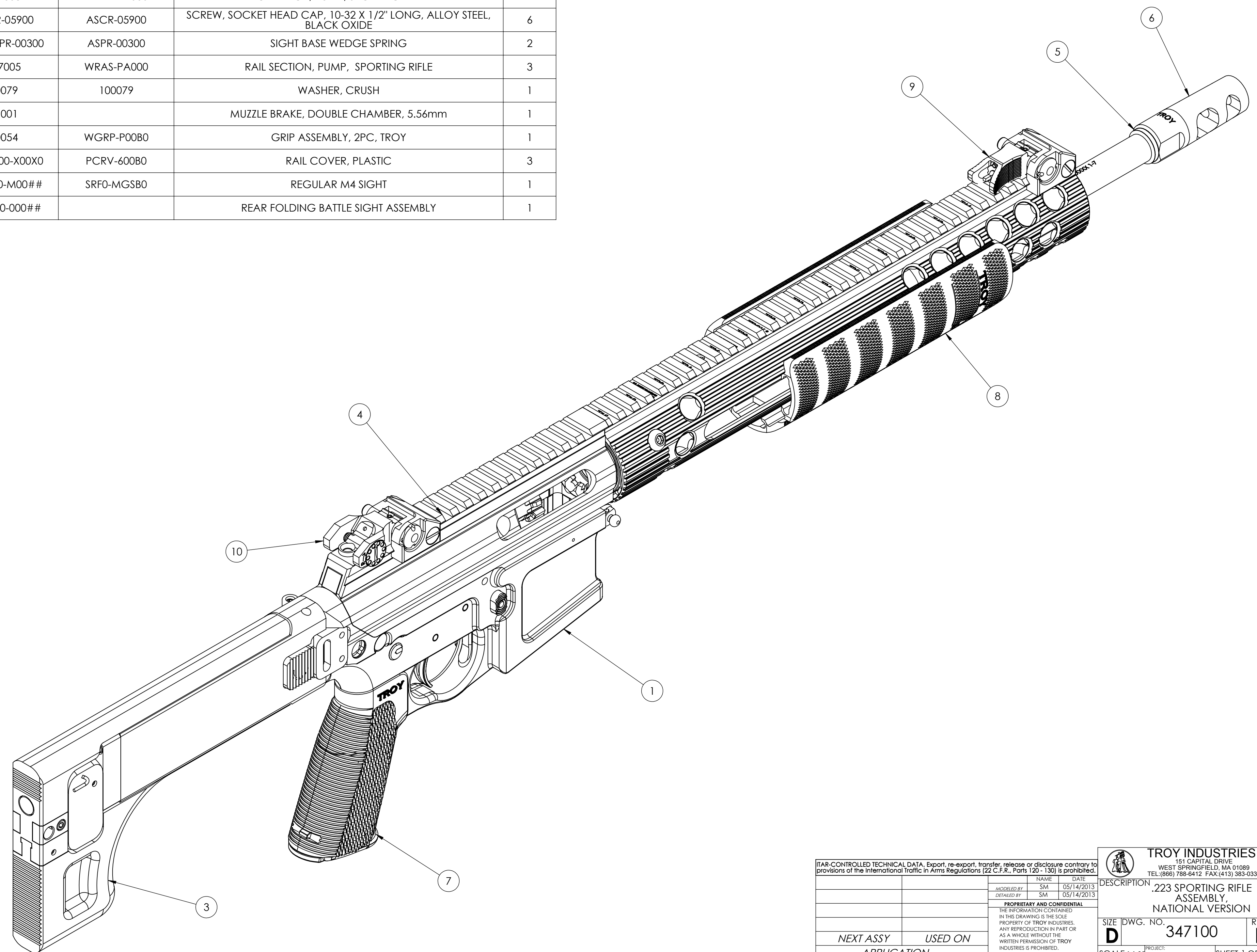
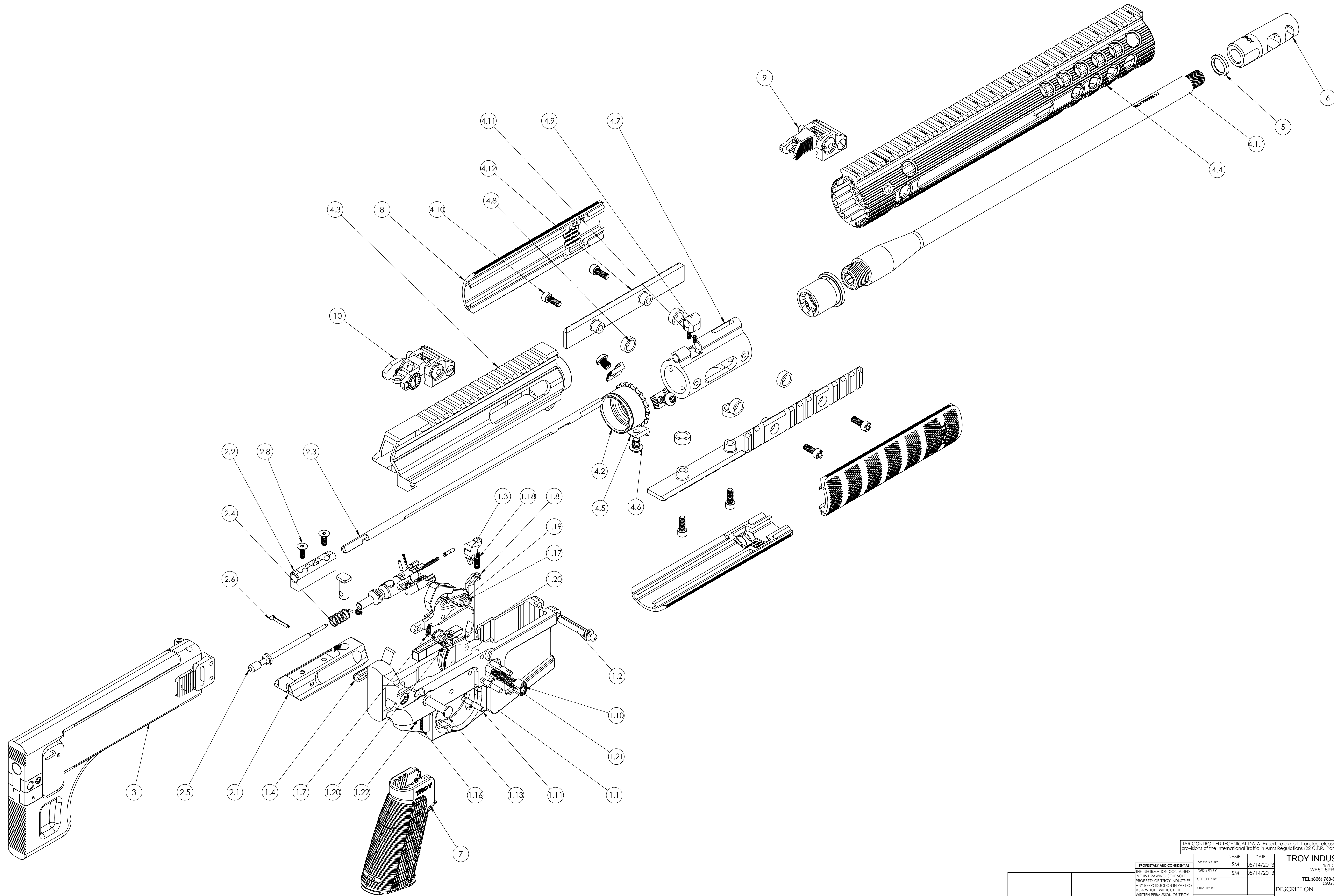


ITEM NO.	PART NUMBER	ERP PRODUCT NUMBER	DESCRIPTION	QTY.	ITEM NO.	PART NUMBER	ERP PRODUCT NUMBER	DESCRIPTION	QTY.
1	347102		LOWER RECEIVER ASSEMBLY, .223 SPORTING RIFLE, NATIONAL VERSION	1	3	347101	PBP1-000BT	FOLDING BUTT STOCK ASSEMBLY, SPORTING RIFLE, NATIONAL VERSION	1
1.1	347028		RECEIVER, LOWER, .223 SPORTING RIFLE, NATIONAL VERSION	1	4	347108		UPPER RECEIVER ASSEMBLY, .223 SPORTING RIFLE, NATIONAL VERSION	1
1.2	347014	WLPN-PA000	LATCH PIN, PIVOT, FRONT, LOWER RECEIVER, .223 SPORTING RIFLE, NATIONAL VERSION	1	4.1	347104	WBRL-6P000	BARREL ASSEMBLY, .223 SPORTING RIFLE	1
1.3	347015	WBST-PA000	BOLT STOP, SPORTING RIFLE	1	4.1.1	347033		BARREL, 16", .223 SPORTING RIFLE	1
1.4	100006	WSAF-S0000	SAFETY SELECTOR, SEMI	1	4.1.2	100048	100048	PIN, BARREL INDEXING	1
1.5	100029	WTRG-D0000	DISCONNECT, SEMI	1	4.1.3	100047	100047	BARREL EXTENSION	1
1.6	100031	WTRG-T0000	TRIGGER, SEMI-AUTO	1	4.2	100037	100037	BARREL NUT	1
1.7	100030	WTRG-0S000	SPRING, DISCONNECTOR	1	4.3	347029		RECEIVER, UPPER, .223 SPORTING RIFLE	1
1.8	347030	WBIT-PA000	BUTTON, MANUAL RELEASE, BOLT STOP, SPORTING RIFLE	1	4.4	347001		RAIL, HANDGUARD, 13", .223 SPORTING RIFLE	1
1.9	100057	WMRL-S0000	MAGAZINE CATCH ASSEMBLY	1	4.5	PMA-RTA1-00C00	RTA1-00C00	CLAMP, RAIL, ALPHA/BRAVO RAIL	3
1.9.1	100058	100058	SHAFT, MAGAZINE CATCH	1	4.6	ICC-ASCR-03700	ASCR-03700	SCREW, BUTTON HEAD SOCKET, 1/4-20 X 5/16" LONG	3
1.9.2	100059	100059	PLATE, MAGAZINE CATCH	1	4.7	347003		FORE-END, BOLT CARRIER, .223 SPORTING RIFLE	1
1.10	100010	WMGR-00B00	BUTTON, MAG RELEASE	1	4.8	347004	WBUS-PA000	BUSHING, PUMP RAIL, SPORTING RIFLE	6
1.11	100027	WTRG-HP000	PIN, HAMMER/TRIGGER	3	4.9	347008	WRDL-PA000	ROD LATCH, PUMP, SPORTING RIFLE	1
1.12	100016	WSAF-00D00	DETENT, FIRE CONTROL SELECTOR	1	4.10	ASCR-05900	ASCR-05900	SCREW, SOCKET HEAD CAP, 10-32 X 1/2" LONG, ALLOY STEEL, BLACK OXIDE	6
1.13	100025	APNO-00200	PIN, TAKEDOWN	1	4.11	ICC-ASPR-00300	ASPR-00300	SIGHT BASE WEDGE SPRING	2
1.14	100012	APNO-02100	DETENT, TAKEDOWN PIN	3	4.12	347005	WRAS-PA000	RAIL SECTION, PUMP, SPORTING RIFLE	3
1.15	100013	ASPR-00100	SPRING, DETENT, TAKEDOWN PIN	3	5	100079	100079	WASHER, CRUSH	1
1.16	100015	WSAF-00S00	SPRING, SAFETY DETENT	1	6	361001		MUZZLE BRAKE, DOUBLE CHAMBER, 5.56mm	1
1.17	100005	WTRG-H0000	HAMMER, SEMI	1	7	100054	WGRP-P00B0	GRIP ASSEMBLY, 2PC, TROY	1
1.18	100020	WBTB-00S00	SPRING, BUFFER DETENT	1	8	PPM-PC00-X00X0	PCRV-600B0	RAIL COVER, PLASTIC	3
1.19	100026	WTRG-HS000	SPRING, HAMMER	1	9	ICA-SRF0-M00##	SRF0-MGSB0	REGULAR M4 SIGHT	1
1.20	100028	WTRG-TS000	SPRING, TRIGGER	1	10	ICA-SRRO-000##		REAR FOLDING BATTLE SIGHT ASSEMBLY	1
1.21	100011	WMGR-00S00	SPRING, MAG RELEASE	1					
1.22	ICC-ASCR-04400	ASCR-04400	SCREW, SET, #4-40 X 1/8" LONG	1					
2	347103	WBCG-P1000	BOLT CARRIER ASSEMBLY, .223 SPORTING RIFLE	1					
2.1	347007	WBC1-CA000	BOLT CARRIER, .223 SPORTING RIFLE	1					
2.2	347002	WBC1-RB000	PUMP ROD BLOCK, BOLT CARRIER, SPORTING RIFLE	1					
2.3	347006	WBC1-PS000	PISTON ROD, .223 SPORTING RIFLE	1					
2.4	347054	ASPR-02100	SPRING, BOLT ASSIST	1					
2.5	347034	347-034	FIRING PIN, .223 SPORTING RIFLE	1					
2.6	100093	100093	PIN, RETAINING, FIRING PIN	1					
2.7	347105	WBC1-AK000	BOLT ASSEMBLY, .223 SPORTING RIFLE	1					
2.7.1	100094	100094	BOLT, 5.56mm/.223	1					
2.7.2	100112	100112	SPRING, EXTRACTOR	1					
2.7.3	100111	100111	BUFFER, EXTRACTOR	1					
2.7.4	100088	100088	EJECTOR	1					
2.7.5	100102	100102	DETENT, PAWL	1					
2.7.6	100095	100095	EXTRACTOR	1					
2.7.7	100089	100089	PIN, SLOTTED SPRING, Ø1/16 X 3/8, EJECTOR	1					
2.7.8	100096	100096	SPRING, EJECTOR	1					
2.7.9	100100	100100	PIN, CAM	1					
2.8	347053	ASCR-05300	SCREW, FLAT HEAD SOCKET CAP, 8-32 X 7/16" LONG, ALLOY STEEL, BLACK OXIDE	2					

REVISIONS					
REV.	ECR NO.	DESCRIPTION	DATE	BY	APPR
A		RELEASED FOR PRODUCTION	2/26/2014		
B		UPDATED ASSEMBLY	4/23/2014		
C	014-0073	UPDATE ASSEMBLY TO REFLECT THE CHANGES TO 347101, 347103, & 347108 IN THIS ECR	6/9/2014	CJS	
D	014-0103	CHANGED PART NUMBER OF ITEM 4 TO FROM ASCR-01500 TO ASCR-05900 (PART AND DESCRIPTION DID NOT CHANGE)	8/20/2014	CJS	
E		ADDED CONFIGURATIONS TO THE ASSEMBLY MODEL, NEW CONFIGURATIONS ARE NOT SHOW ON THIS PRINT	11/4/2014	GRM	



ITAR-CONTROLLED TECHNICAL DATA. Export, re-export, transfer, release or disclosure contrary to provisions of the International Traffic in Arms Regulations (22 C.F.R. Parts 120 - 130) is prohibited.		TROY INDUSTRIES 151 CAPITAL DRIVE WEST SPRINGFIELD, MA 01089 TEL: (866) 788-6412 FAX: (413) 383-0339	
NAME: SM DATE: 05/14/2013 DESIGNED BY: SM DETAILED BY: SM 05/14/2013	DESCRIPTION: .223 SPORTING RIFLE ASSEMBLY NATIONAL VERSION		
PROPRIETARY AND CONFIDENTIAL THE INFORMATION CONTAINED IN THIS DRAWING IS THE SOLE PROPERTY OF TROY INDUSTRIES. ANY REPRODUCTION IN PART OR AS A WHOLE WITHOUT THE WRITTEN PERMISSION OF TROY INDUSTRIES IS PROHIBITED.			
NEXT ASSY USED ON APPLICATION	SIZE: D DWG. NO.: 347100 SCALE: 1:1	PROJECT: .223 Sporting Rifle	SHEET 1 OF 2



(ITAR-CONTROLLED TECHNICAL DATA. Export, re-export, transfer, release or disclosure contrary to provisions of the International Traffic in Arms Regulations (22 C.F.R., Parts 120 - 130) is prohibited.)

PROPRIETARY AND CONFIDENTIAL	MODELED BY	NAME	DATE	TROY INDUSTRIES, INC. 151 CAPITAL DRIVE WEST SPRINGFIELD, MA 01089 U.S.A. TEL:(866) 788-8412 FAX:(413) 383-0339 GAGE CODE: 98211
THE INFORMATION CONTAINED IN THIS DRAWING IS THE SOLE PROPERTY OF TROY INDUSTRIES. ANY REPRODUCTION IN PART OR AS A WHOLE WITHOUT THE WRITTEN PERMISSION OF TROY INDUSTRIES IS PROHIBITED.	CHECKED BY	SM	05/14/2013	
	QUALITY REP			
	DESCRIPTION	.223 SPORTING RIFLE ASSEMBLY, NATIONAL VERSION		
ERP NO. (REFERENCE ONLY)	[UNLESS OTHERWISE SPECIFIED: DIMENSIONS ARE IN INCHES TOLERANCES: ANGULAR ± 1° TWO PLACE DECIMAL: ± 0.010 THREE PLACE DECIMAL: ± 0.005 FOUR PLACE DECIMAL: ± 0.0005 INTERPRET GEOMETRIC TOLERANCING PER: ASME Y14.5-2009 DO NOT SCALE DRAWING			SIZE DWG. NO. D 347100
NEXT ASSY	USED ON	APPLICATION	SCALE: 1:1.25	REV E
				PROJECT 347 SHEET 2 OF 2

ISO INFORMATION TIFM-087 REVISED: 01/05/2016 SUPERSEDES: N/A